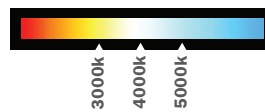




## LED Flat Panel

Zolu Lighting LED Flat Panels are ideal for most commercial applications. Our panels have a unique design and accessories that allow installed them on-or-in most ceiling types, recessed, pendant, surface mount or in suspended ceiling. Due to high grade components our panels have good lighting directivity, and higher luminous efficiency than traditional lighting. The design of the frame is suitable for most office and school environments, hallways and corridors. It was designed to minimize glaring and reflections on the work surface, avoiding visual discomfort to meet highest office standards.

### Color Temperature



## Features and applications

- The lamp's panel and heat-sink device is fixed as a whole, so that the product is more solid and reliable and ensure the long lifespan.
- Input voltage is AC100-277V, making more convenient of the installation and usage.
- Robust and modern design
- Long lifetime due to high quality LED chips and drivers
- 5 Years warranty
- Dimmable 0-10V
- This product could be used in supermarket, parking, workshop, toll-gate, gasoline station, exhibition hall, municipal engineering and other lighting area.
- UL Rohs Certificate
- Different Color Temperature Available (3000k, 4000k, 5000k)
- Operating Ambient Temperature -40°~+50°C
- Flickering-free

## Technical Parameters

Product Code	Watts	Size	Lumens	CCT	Input Voltage	Power Factor	Beam Angle	CRI	Life Span	IP	Warranty	Ce tificates
ZL40W1UD30KUL	40W	1'x4' (30x122cm)	5000lm	3000K	AC100-277V	>0.90	110°	Ra≥80	50,000 hrs	IP20	5 years	UL-ROHS
ZL40W1UD40KUL	40W	1'x4' (30x122cm)	5000lm	4000K	AC100-277V	>0.90	110°	Ra≥80	50,000 hrs	IP20	5 years	UL-ROHS
ZL40W1UD50KUL	40W	1'x4' (30x122cm)	5000lm	5000K	AC100-277V	>0.90	110°	Ra≥80	50,000 hrs	IP20	5 years	UL-ROHS
ZL40W2UD30KUL	40W	2'x2' (61x61cm)	5000lm	3000K	AC100-277V	>0.90	110°	Ra≥80	50,000 hrs	IP20	5 years	UL-ROHS
ZL40W2UD40KUL	40W	2'x2' (61x61cm)	5000lm	4000K	AC100-277V	>0.90	110°	Ra≥80	50,000 hrs	IP20	5 years	UL-ROHS
ZL40W2UD50KUL	40W	2'x2' (61x61cm)	5000lm	5000K	AC100-277V	>0.90	110°	Ra≥80	50,000 hrs	IP20	5 years	UL-ROHS
ZL60W4UD40KUL	60W	2'x4' (61x122cm)	7500lm	4000K	AC100-277V	>0.90	110°	Ra≥80	50,000 hrs	IP20	5 years	UL-ROHS
ZL60W4UD50KUL	60W	2'x4' (61x122cm)	7500lm	5000K	AC100-277V	>0.90	160°	Ra≥80	50,000 hrs	IP20	5 years	UL-ROHS

### EXTRAS

- ZL-FP-SUSPENDKIT01 Suspendant installation kit for 1\*4 feet LED panel Light
- ZL-FP-SUSPENDKIT02 Suspendant installation kit for 2\*2 feet LED panel Light
- ZL-FP-SUSPENDKIT03 Suspendant installation kit for 2\*4 feet LED panel Light
- ZLCLIPZ Surface installation kit for LED panel Light



# Surface Kit for LED Flat Panel

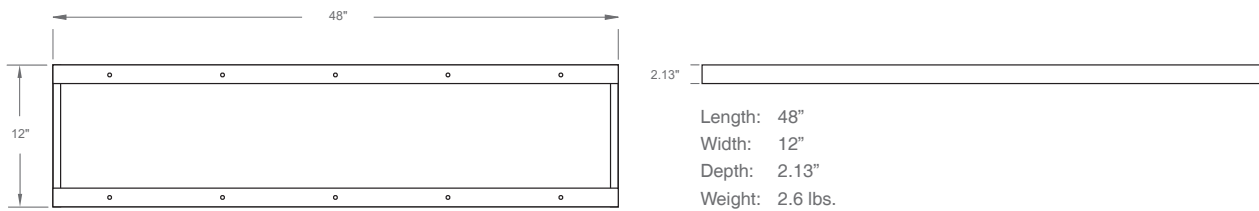
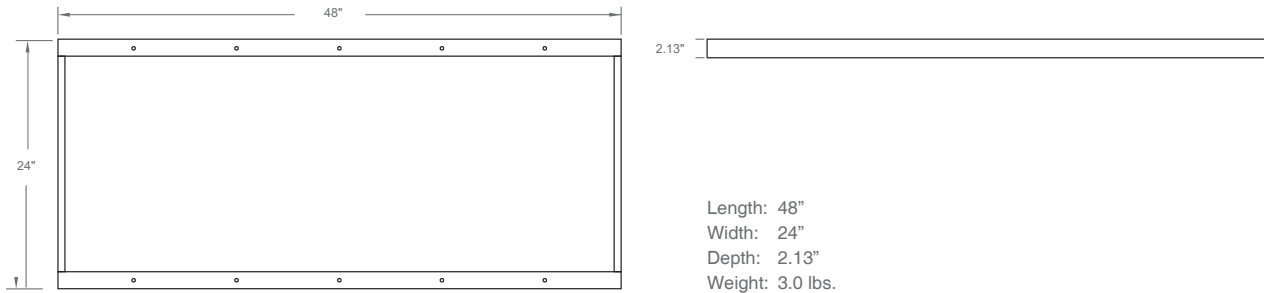
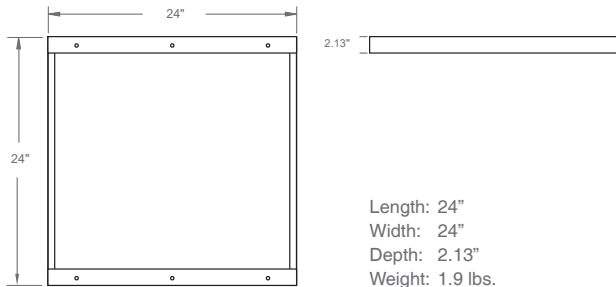
Specially designed for Zolu LED Flat Panels and ideal for installation on sheetrock ceiling, these surface kits are an accessory that provides an aesthetically pleasing style and a low-profile silhouette.

## Construction

- Durable 18 gauge aluminum frame; 0.067" thick (1.7mm)
- Post-painted in white powder coat paint
- Easy to assemble for quick field installation
- Low-profile design

## Compliance

- cULus Recognized Luminaire Fitting
- Kits were UL tested with ZOLU LED Flat Panels to ensure compatibility



## Technical Parameters

Product Code	Size	Dimensions (L * W * D)	Weight	Finish	Zolu LED Flat Panel Compatibility
ZLFPSK2	2 x 2	609mm x 609mm x 54mm	0.86 Kg	White	ZL40W2UD30KUL / ZL40W2UD40KUL / ZL40W2UD50KUL
ZLFPSK4	2 x 4	1219mm x 609mm x 54mm	1.36 Kg	White	ZL60W4UD40KUL / ZL60W4UD50KUL
ZLFPSK1	1 x 4	1219mm x 300mm x 54mm	1.18 Kg	White	ZL40W1UD30KUL / ZL40W1UD40KUL / ZL40W1UD50KUL

NOTE: Weight does not include fixture weight.

For installation and safety notes visit: [www.zolulighting.com](http://www.zolulighting.com)

# Recessed Kit for LED Flat Panel

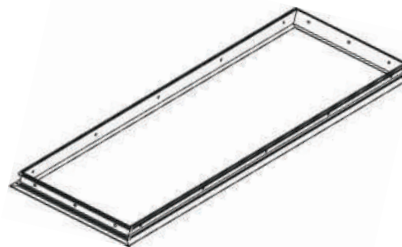
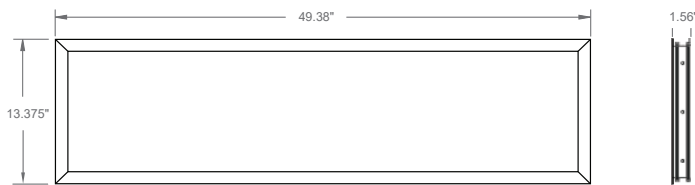
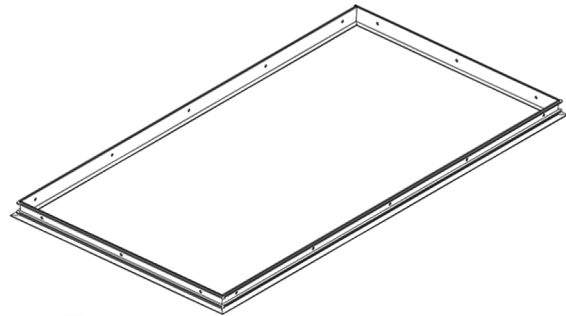
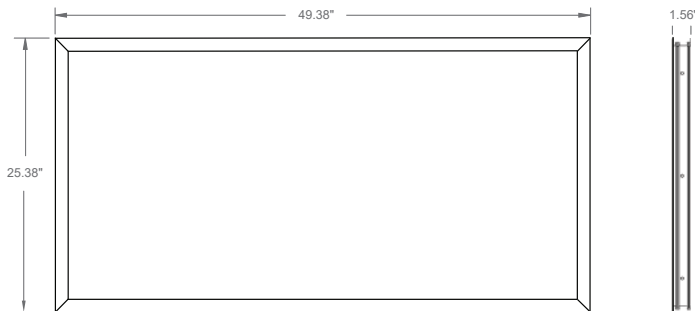
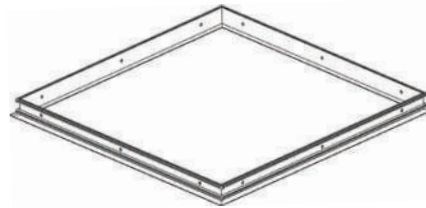
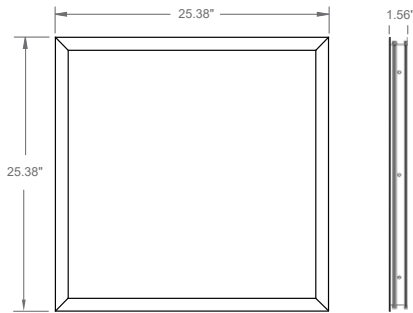
Specially designed for Zolu LED Flat Panels and ideal for installation on drywall ceiling, these recessed kits are an accessory that provides a perfect square fit due to its extruded aluminum construction with mitered corners.

## Construction

- Extruded aluminum
- Formulated for high durability and long-lasting color
- Easy to assemble for quick field installation
- Mitered corners for perfect square fit

## Compliance

- cULus Recognized Luminaire Fitting
- Kits were UL tested with ZOLU LED Flat Panels to ensure compatibility



## Technical Parameters

Product Code	Size	Dimensions (L * W * D)	Weight	Finish	Zolu LED Flat Panel Compatibility
ZLFPRK2	2 x 2	644.53mm x 644.53mm x 39.69mm	1.134 Kg	White	ZL40W2UD30KUL / ZL40W2UD40KUL / ZL40W2UD50KUL
ZLFPRK4	2 x 4	1254.13mm x 644.53mm x 39.69mm	1.633 Kg	White	ZL60W4UD40KUL / ZL60W4UD50KUL
ZLFPRK1	1 x 4	1254.13mm x 339.731mm x 39.69mm	1.451 Kg	White	ZL40W1UD30KUL / ZL40W1UD40KUL / ZL40W1UD50KUL

NOTE: Weight does not include fixture weight.

For installation and safety notes visit: [www.zolulighting.com](http://www.zolulighting.com)