



LED Step Light ETL

The zolu lighting LED Step Light ETL can be used in both interior and exterior applications to light up steps, stairways and walkways for added safety and turn any dark stairway or pathway into a distinctive decorative element. These LED step lights offer a sleek profile and fits flush to the wall with no visible hardware. Installation is a direct wire with no driver needed and can be installed in any 120V outlet. They are IP67 rated for indoor and outdoor use and are ETL certified. Only 2 watts are consumed per unit, with a light output of 185 lumens. They can be mounted horizontal or vertical and customizable with different plates available in different colors: brushed nickel, black, white, and oil rubbed bronze.

Features and Benefits

- ETL Certificate
- 3 Year Warranty
- IP67 protection
- For indoor and outdoor applications
- Different plates finish options
- Fits with single gang junction box



Applications

- Steps
- Stairways
- Walkways
- Planters



Step Light Vertical Engine
ZL2WSLE



Black
ZLPLATE-V01-B



Brushed Nickel
ZLPLATE-V01-BN

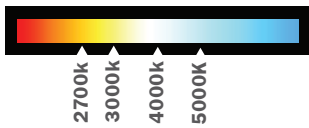


Oil Rubed Bronze
ZLPLATE-V01-RB



White
ZLPLATE-V01-W

Color Temperature



Black
ZLPLATE-H01-B



Brushed Nickel
ZLPLATE-H01-BN



Oil Rubed Bronze
ZLPLATE-H01-RB



White
ZLPLATE-H01-W

Technical Parameters

Product Code	Watts	Lumens	Voltage	Trims Options	Dimensions	Color temperature	IP	Beam Angle	Warranty	Certificates
ZL2WSLE30KETL-V01	2W	185lm	100-120V AC	Vertical	13.3 x 8.3cm	3000K ¹	IP67	120°	3 year	ETL
ZL2WSLE30KETL-H01	2W	185lm	100-120V AC	Horizontal	13.3 x 8.3cm	3000K ¹	IP67	120°	3 year	ETL

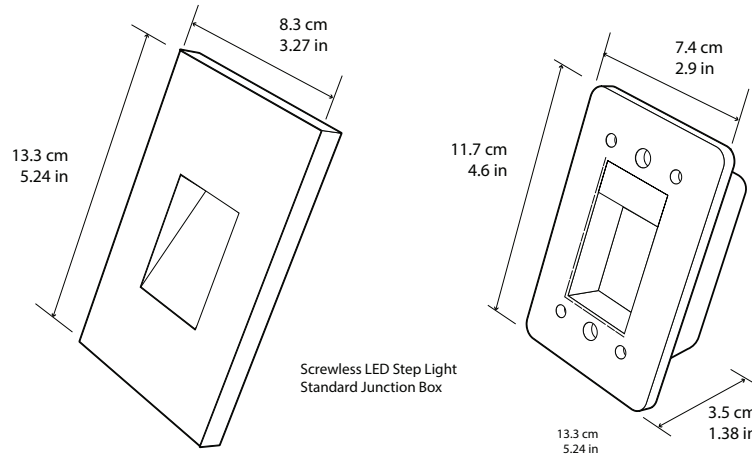
- NOTE ¹ : Different color temperature available upon special request (2700K - 4000K - 5000K)

Warranty based on 3 hours daily use

For installation and safety notes visit: www.zolulighting.com



LED Step Light Vertical Installation Instructions



CAUTION:

Use a qualified electrician for installation of this lighting fixture.

Before installing fixture disconnect power by shutting off the circuit breaker or by removing the fuse at the fuse box.

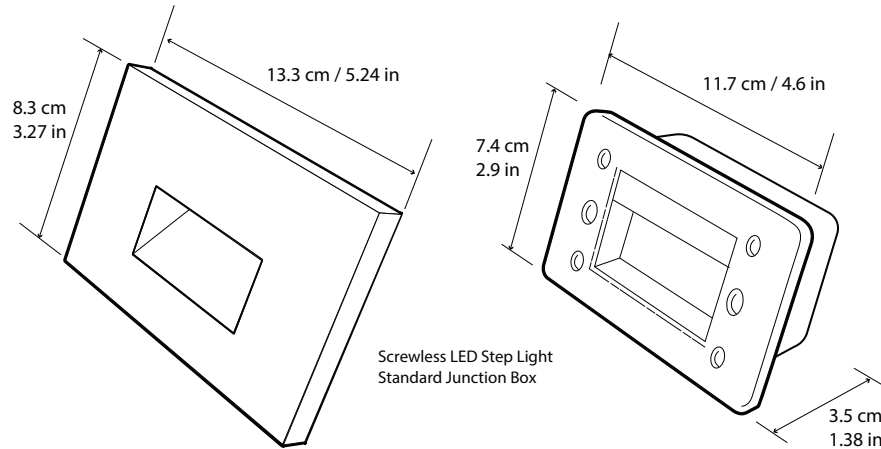
All electrical connections must be in accordance with local and National Electrical Code

INSTALLATION

1		<p>For outdoor installation, use included gasket. Indoor applications, gasket is not required. Make wire connection inside of electrical box. Attach LED light engine to standard single gang electrical box using screws provided.</p>
2		<p>Place preferred trim style and finish over top of light engine. With included allen key, attach the trim to the light engine.</p>
3		<p>Turn back on electrical power. Turn light on from switch.</p>

For installation and safety notes visit: www.zolulighting.com

LED Step Light Horizontal Installation Instructions



CAUTION:

Use a qualified electrician for installation of this lighting fixture.

Before installing fixture disconnect power by shutting off the circuit breaker or by removing the fuse at the fuse box.

All electrical connections must be in accordance with local and National Electrical Code

INSTALLATION

1		<p>For outdoor installation, use included gasket. Indoor applications, gasket is not required. Make wire connection inside of electrical box. Attach LED light engine to standard single gang electrical box using screws provided.</p>
2		<p>Place preferred trim style and finish over top of light engine. With included allen key, attach the trim to the light engine.</p>
3		<p>Turn back on electrical power. Turn light on from switch.</p>

For installation and safety notes visit: www.zolulighting.com