



LED Strip Light 24V UL - 25m no Voltage Drop

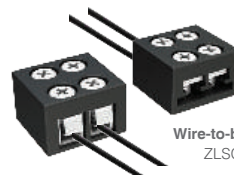
Flexible LED Strip Light 24V UL creates new and exciting, vibrant color lighting effects that were once impossible to achieve. Ideal for cove, pelmet, shelf or wardrobe lighting, commercial applications, product displays, under counter lightings, and because its different IP grades, can be installed in various environments. LED strip light can be used to reduce the energy consumed to light display cases or closets while also reducing the heat put off by puck lights or traditional overhead lighting.

Features and Benefits

- UL, CE and RoHS Certificates
- 5 Year Warranty
- Power saving
- Maximum connection length is 25m
- Different IP grades can meet the requirements off various environments
- Can be cut every 10cm to requirements off different length

Applications

- Architectural decorative lighting
- Archway, canopy and bridge edge lighting
- Amusement park, theater and aircraft cabin mood lighting
- Emergency hallway lighting
- Backlighting for signage letters
- Emergency exit path lighting



Wire-to-board Connector
ZLSC-WB-10MM



Board-to-board Connector
ZLSC-BB-10MM



Mean Well Driver
LRS-75



Mean Well Driver
LRS-150



Mean Well Driver
LRS-350



Color Temperature



3000K

Technical Parameters

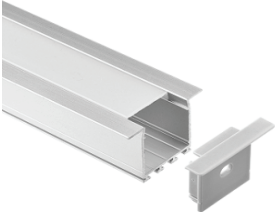
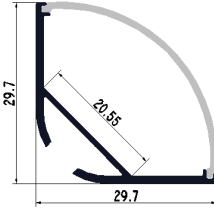
Product Code	Watts	Lumens	Voltage	IP	Color Temperature	CRI	Beam Angle	Led Qty.	Warranty	Certificates
ZL4WSL24V30KUL-IP20	3.6W	390lm/m	24V	IP20	3000k	>80Ra	120°	60 leds/m	5 year	UL/CE/RoHS

- ZLSC-BB-10MM	(Wire-to-board connector)	- Mean Well Driver	LRS-75	(75W single output switching power supply, UL, 3 year warranty)
- ZLSC-WB-10MM	(Board-to-board connector)	- Mean Well Driver	LRS-150	(150W single output switching power supply, UL, 3 year warranty)
- ZLSC-WB-10MM-CABLE	(Strip Lights 28.8W/M)	- Mean Well Driver	LRS-350	(350W single output switching power supply, UL, 3 year warranty)

Warranty based on 12 hours daily use

Check closing precautions at: www.zolulighting.com

Aluminium Profiles for LED Strips Installations

Product Code	Product Picture	Dimensions (mm)	Length (m)	Accessories	Compatible with
ZLPA-01			2,00 m	<ul style="list-style-type: none"> -Aluminium 1M/PC -PC diffuser: 1M/PC -End caps: 2 pcs/set -Clips: 4 pcs/set -PCB width: 12mm -PCB width: 24mm 	Strip Light 24V UL 25m non Voltage Drop
ZLPA-02			2,00 m	<ul style="list-style-type: none"> -Aluminium 1M/PC -PC diffuser: 1M/PC -End caps: 2 pcs/set -Springs: 4 pcs/set -PCB width: 24mm 	Strip Light 24V UL 25m non Voltage Drop
ZLPA-03			2,00 m	<ul style="list-style-type: none"> -Aluminium 1M/PC -PC diffuser: 1M/PC -End caps: 2 pcs/set -Clips: 4 pcs/set -PCB width: 20mm 	Strip Light 24V UL 25m non Voltage Drop
ZLPA-04			2,00 m	<ul style="list-style-type: none"> -Aluminium 1M/PC -PC diffuser: 1M/PC -End caps: 2 pcs/set -Clips: 4 pcs/set -PCB width: 20mm -Suspension slings optional -180° connection accessories optional ->90° rotate accessories optional 	Strip Light 24V UL 25m non Voltage Drop
ZLPA-05			2,00 m	<ul style="list-style-type: none"> -Aluminium 1M/PC -PC diffuser: 1M/PC -End caps: 2 pcs/set -Brackets: 4 pcs/set -PCB width: 12mm 	Strip Light 24V UL 25m non Voltage Drop