



Spike Flood Fixture for PAR20

Designed for use with the latest generation of LED Zolu Lighting PAR20 bulbs, this Spike Flood Fixture is the perfect solution for outdoor landscape lighting. A compact design, fully adjustable in all directions, and due to its widespread, it is ideal for uplighting trees, large statues and other garden features as well as color wall washing. Highly weatherproof with IP65 and IK08 anti-collision rated, made from die-cast Aluminum housing, accompanied with a clear tempered glass of 6mm thickness, the versatile ground spike flood fixture built to last.

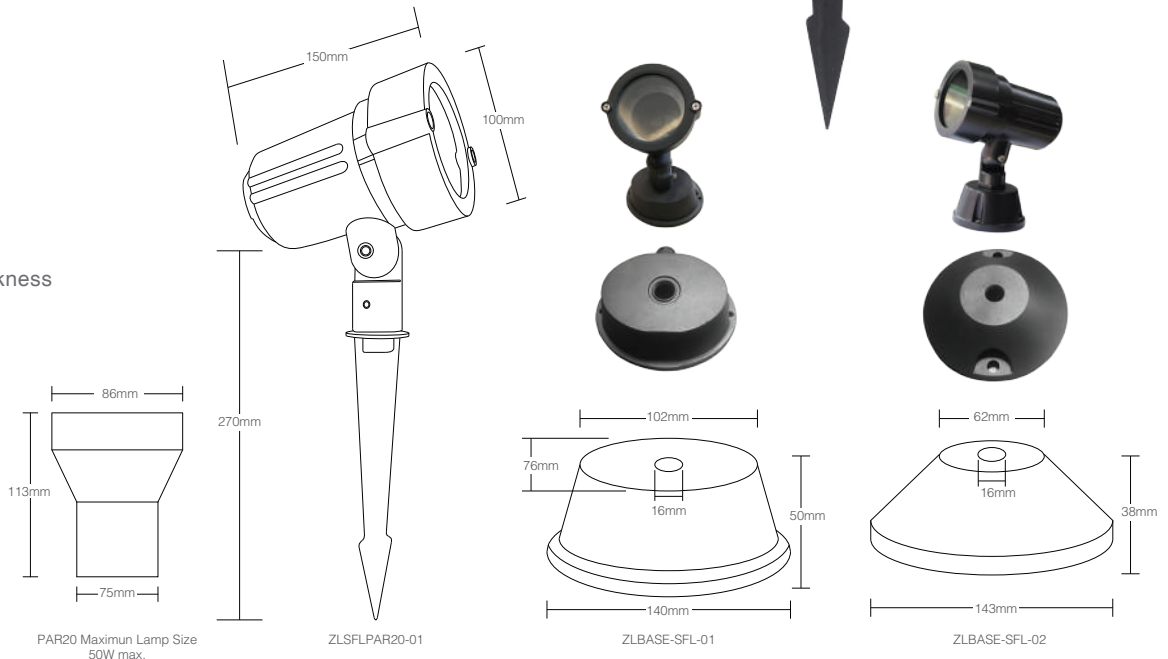


Features and Benefits

- CE Certificate
- 2 Year Warranty
- IP65 Waterproof level
- IK08 Anti-collision level
- Die-cast Aluminum Housing with tempered step glass of 6mm thickness

Applications

- Landscape lighting
- Parking lot
- Tree uplighting
- Flagpoles
- Architectural wall washing



Technical Parameters

Product Code	Lamp	Watts	Lamp Holder	Voltage	Color Temperature	Dimensions	Operating Temperature	IP	IK	Warranty	Certificates
ZLSFLPAR20-01	*PAR20	50W max	E27	120-240V	According to bulb	100*150*270mm	-25~+45	IP65	IK08	2 year	CE

EXTRAS

ZLBASE-SFL-01	Base for concrete installation or solid surfaces		140*50*76mm	
ZLBASE-SFL-02	Base for concrete installation or solid surfaces		143*38*62mm	

- DO NOT install in submersible environments.
- Verify that the Cover Trim of the luminaire is installed correctly to prevent water from entering the luminaire.
- Make the connection of the cables inside a box for wet areas and use splicers and special electrical tape for outdoors.
- NOTE: Not following the installation notes mentioned above will void the warranty due to improper installation.
- NOTE: * Lamp not included.

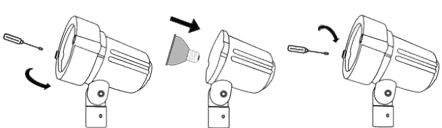
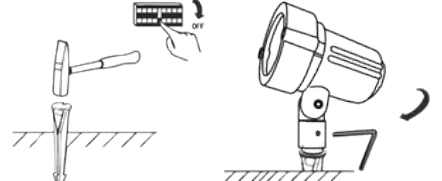
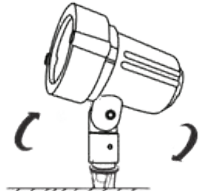
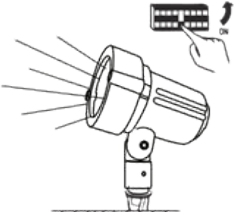
For installation and safety notes visit: www.zolulighting.com

Spike Flood Fixture for PAR20 Installation Instructions

CAUTION:

Use a qualified electrician for installation of this lighting fixture.

Before installing the fixture disconnect power by shutting off the circuit breaker or by removing the fuse at the fuse box. All electrical connections must be in accordance with local and National Electrical Code.

GENERAL INSTALLATION	
1	 <p>Remove the two Phillips screws which retain the bezel to the body. Remove the bezel and glass. Install a PAR20 lamp. Place the glass and bezel. Fix the screws and tighten them to the body.</p>
2	 <p>Select a suitable area to install the spike, taking care to avoid cables or pipes. Secure the spike into the ground, and the body to the spike. The incoming cable to the luminaire is to be terminated in a suitable junction box enclosure maintained any required IP rating. See electrical connections below.</p>
3	 <p>Angle and direct the luminaire to desired position.</p>
4	 <p>Restore power supply, switch on and test for satisfactory operation.</p>

ELECTRIC CONNECTION:

Connect as follows

LIVE	(L)	BROWN OR RED
NEUTRAL	(N)	BLUE OR BLACK
EARTH	(G)	YELLOW&GREEN



MAINTENANCE:

• This luminaire contains no serviceable parts. If you are in doubt, please contact your equipment supplier for further advice.

For installation and safety notes visit: www.zolulighting.com