



LED Street Light PRO

Ideal to bring a uniform lighting experience to large spaces, the Zolu Lighting Street Light includes a variety of mounting options, wattages availability levels, and beam angles. The fixture particularly fits most requirements embraced in parking lots, downtown areas, neighborhoods, walkways and building grounds.

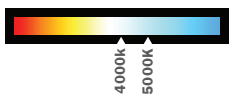
Features and Benefits

- CE, RoHS, UL and DLC Certificate
- IP66 and 5 Year Warranty
- Up to 160lm/w, and different beam angles
- Modern design and multiple choices of mounting
- With Photocell
- Different wattage available upon request

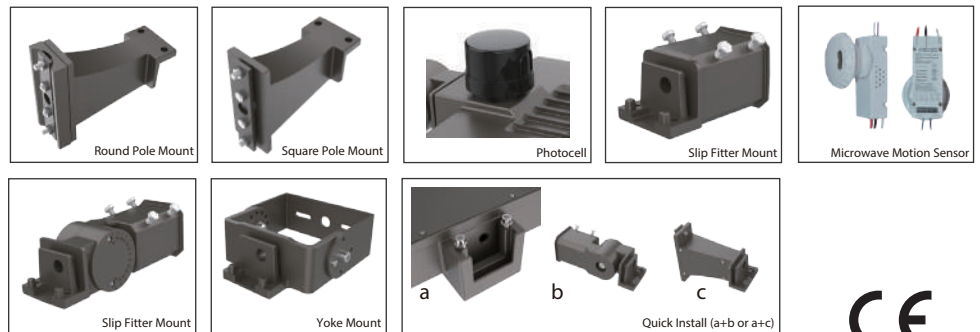
Applications

- Parking lots, streets and walkways
- Outdoor sport courts

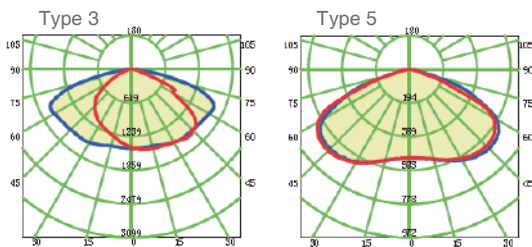
Color Temperature



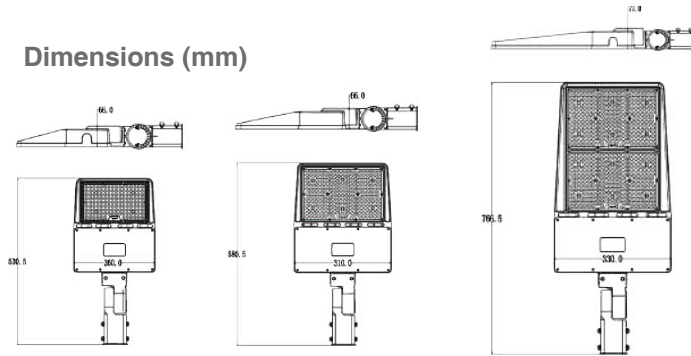
Optional Accessories



Light Distribution Curve and Average E (lx)



Dimensions (mm)



Technical Parameters

Product Code	Watts	Lumens	Voltage	Power Factor	Color Temperature	CRI	Beam Angle	IP	Life Time	Warranty	Certificates
ZL60WSL60D50KUL	60W	8400lm	100-277 V	>0.95	5000k	>70	Type3 / Type5	IP66	50000 hrs	5 year	CE/RoHS/UL/DLC
ZL100WSL60D40KUL	100W	14000lm	100-277 V	>0.95	4000k	>70	Type3 / Type5	IP66	50000 hrs	5 year	CE/RoHS/UL/DLC
ZL100WSL60D50KUL	100W	14000lm	100-277 V	>0.95	5000k	>70	Type3 / Type5	IP66	50000 hrs	5 year	CE/RoHS/UL/DLC
ZL150WSL60D50KUL	150W	20000lm	100-277 V	>0.95	5000k	>70	Type3 / Type5	IP66	50000 hrs	5 year	CE/RoHS/UL/DLC

• NOTE: Different wattage available upon request (200W - 240W - 300W)

Warranty based on 12 hours daily use

For installation and safety notes visit: www.zolulighting.com