



DESCRIPTION

EB series LED Emergency Driver is UL listed for Field and factory installation that allows the same led fixture to be used for both normal and emergency operation. In the event of a power failure, the emergency driver switches to emergency mode and operates the existing fixture to 90 minutes.

The unit contains a battery, charge, and converter for individual fixture requirements. This module will operate an LED array load at 15w, 20w, 30w with constant power at a rated output voltage of 25-230VDC. The patented constant power design of the module maintains the output wattage to LED array even as the system voltage diminishes, resulting in a constant illumination level for entire emergency runtime.

The integrated self-diagnostic circuitry will automatically conduct 3 monthly 30 minutes and annual 90-minute tests to verify proper emergency capability per Life Safety Code requirements.

SPECIFICATION

Input Voltage	(Universal) 120-277VAC, 50/60Hz
Input Power (120V/277V)	7 Watts (max)
Output Voltage	0.125A (@25VDC) - 0.1A (@230VDC)
Output Current	DC25-230VDC (Depends model)
Output Power	15, 20, 30 Watts
Power Factor	≥ 0.85
EMI (Radiated and Conducted)	FCC Class A (charge and EM modes)
Surge Protection	Meets ANSI/IEEE C62.41.2-2002
Emergency Operation	90 minutes
Charge Time	24 Hours Recharge
Battery	Lithium battery 0° to 55° C
Weight	1.21 kg
Approval	cUL Listed for factory and field installation

ADVANTAGES

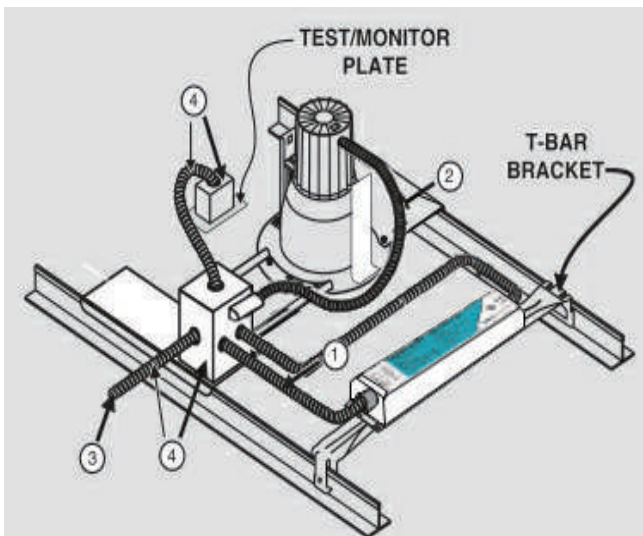
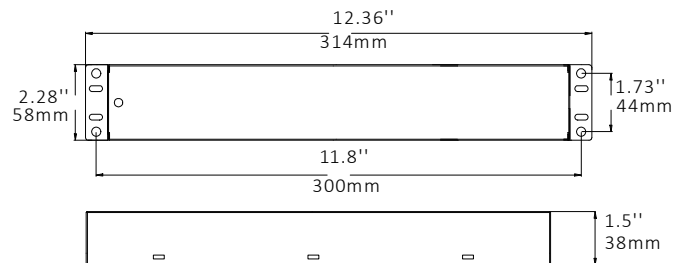
- Optimized for higher voltage LED luminaires with 25-230VDC driver output.
- High Efficiency Performance meets CEC efficiency standards (CEC-400-2014-009-CMF).
- Increased illumination output designed for elevated fixtures
- UL Listed for factory and field installation
- Self-sensing output voltage operates various
- Product types reducing product SKUs for emergency options

FEATURES

- UL 924 Listed for U.S. and Canada
- Five mounting configurations available
- Long-life, maintenance-free, high temperature recyclable Lithium battery
- **5 - Year Warranty**
- Rated for use in plenum, damp location, and enclosed and gasketed fixtures
- RoHS Compliant

DIMENSION

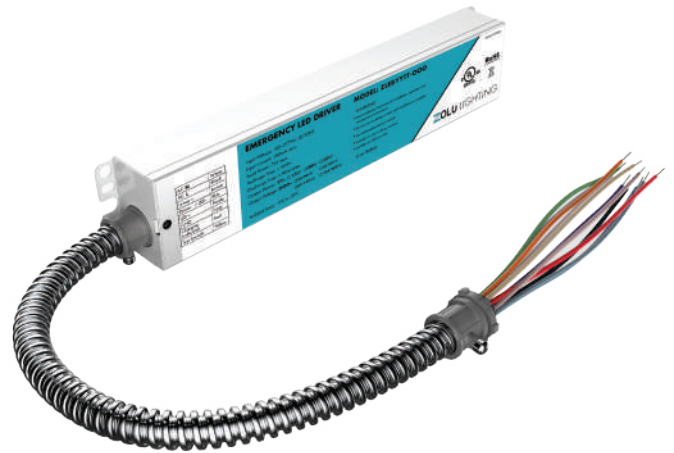
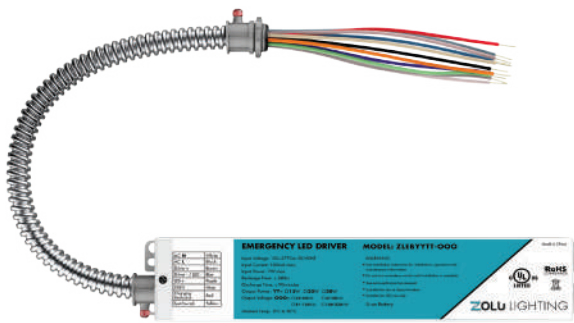
Case- 12.36" x 2.28" x 1.5" (314mm x 58mm x 38mm)
 Mounting Center- 11.8" (300mm)
 Flexible Conduit 13" (330mm)



Case Length	314mm
Case Width	58mm
Case Height	38mm
Mounting Length	330mm

ORDER DETAILS

Output Voltage



ZLEBYTT-050

DC25V-50VDC

Output Power

15w,20w,30w

Input Current

100mA(Max)

Input Power

7W(Max)

Input Voltage

100-277VAC, 50-60Hz

Emergency Operation

≥90 Minutes

Operating Temp

0° to 50° C

Battery

Lithium

Recharge

24 Hrs

ZLEBYTT-080

DC50V-80VDC

Output Power

15w,20w,30w

Input Current

100mA(Max)

Input Power

7W(Max)

Input Voltage

100-277VAC, 50-60Hz

Emergency Operation

≥90 Minutes

Operating Temp

0° to 50° C

Battery

Lithium

Recharge

24 Hrs

ZLEBYTT-155

DC81V-155VDC

Output Power

15w,20w,30w

Input Current

100mA(Max)

Input Power

7W(Max)

Input Voltage

100-277VAC, 50-60Hz

Emergency Operation

≥90 Minutes

Operating Temp

0° to 50° C

Battery

Lithium

Recharge

24 Hrs

ZLEBYTT-230

DC156V-230VDC

Output Power

15w,20w,30w

Input Current

100mA(Max)

Input Power

7W(Max)

Input Voltage

100-277VAC, 50-60Hz

Emergency Operation

≥90 Minutes

Operating Temp

0° to 50° C

Battery

Lithium

Recharge

24 Hrs

NOTE: ZLEBYTT-000

YY=Output Power; 15W, 20W, 30W

TT=Sales Code

WWW=Output Voltage

WIRING

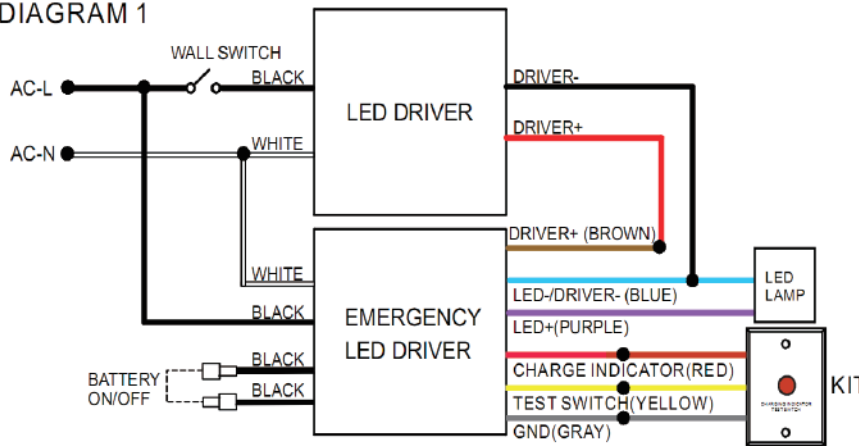
EB Emergency Driver can be used with either a switched or unswitched or emergency only fixture. If a switched fixture is used, an unswitched hot lead must be connected to the emergency driver.

The emergency driver must be fed from the same branch circuit as the AC driver. It is not recommended with fixtures where the ambient temperature may fall below 0°C. The product is suitable for installation in sealed and gasketed fixtures.

WIRING DIAGRAM

The wattage <120w wiring diagram

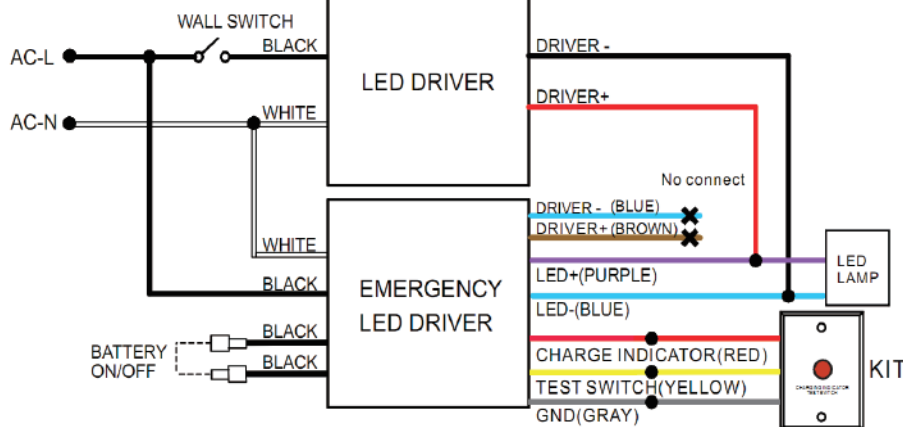
WIRING DIAGRAM 1



(The lamp power is less than 120W and the driver's output current is less than 3A.)

The wattage >120w wiring diagram

WIRING DIAGRAM 2



(The lamp power is more than 120W and turn off wall switch before testing)

.Self-Diagnostic

The integrated self-diagnostic circuitry will automatically conduct monthly 30-second and annual 90-minute tests to verify proper emergency capability per Life Safety Code requirements.

Press the test button to cut the power to the AC driver and switch the system to emergency mode. Release the test button to return to normal mode. Switch off the circuit breaker to simulate a full power outage.

NFPA 101, Life Safety Code outlines the following schedule:

Monthly - Insure that the test button light is illuminated. Conduct a 30 second discharge test by depressing the test button. The LED load should operate at reduced output.

Annually - Insure that the test button is illuminated. Conduct a full 90 minute discharge test. The unit should operate as intended for the duration of the test.

“Written records of the testing shall be kept by the owner for inspection by the authority having jurisdiction.”