



## Spike Flood Fixture for GU10

Designed for use with the latest generation of LED Zolu Lighting GU10 bulbs, this Spike Flood Fixture is the perfect solution for outdoor landscape lighting. A compact design, fully adjustable in all directions, and due to its widespread, it is ideal for uplighting trees, large statues and other garden features as well as color wall washing. Highly weatherproof with IP67 and IK08 anti-collision rated, made from aluminium 6063 CNC processed housing, accompanied with a clear tempered step glass of 6mm thickness, the versatile ground spike flood fixture built to last.

### Features and Benefits

- CE Certificate
- 2 Year Warranty
- IP67 Waterproof level
- IK08 Anti-collision level
- Aluminium 6063 CNC processed housing with tempered step glass of 6mm thickness

### Applications

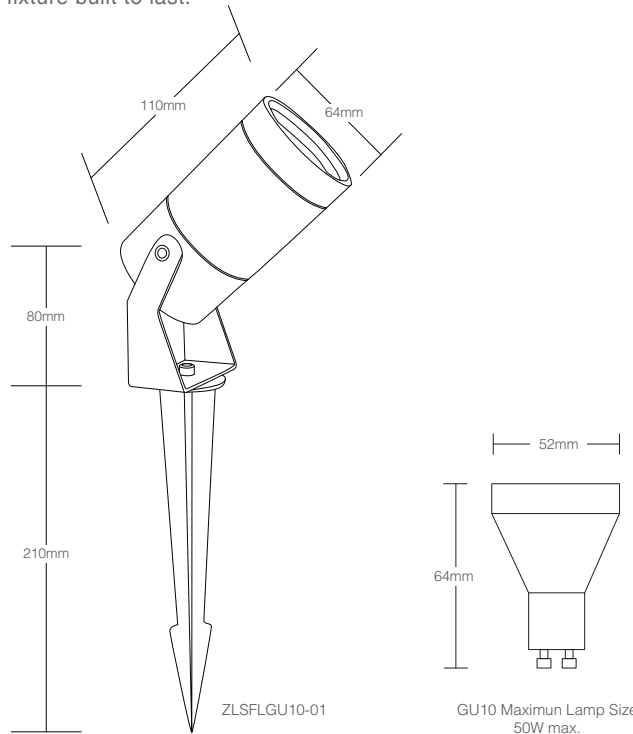
- Landscape lighting
- Parking lot
- Tree uplighting
- Flagpoles
- Architectural wall washing

### Technical Parameters

Product Code	Lamp	Watts	Lamp Holder	Voltage	Color Temperature	Dimensions	Operating Temperature	IP	IK	Warranty	Certificates
ZLSFLGU10-01	*GU10	50W max	GU10	120-240V	According to bulb	110*64*290mm	-25~+45	IP67	IK08	2 year	CE

- DO NOT install in submersible environments.
- Verify that the Cover Trim of the luminaire is installed correctly to prevent water from entering the luminaire.
- Make the connection of the cables inside a box for wet areas and use splicers and special electrical tape for outdoors.

- NOTE: Not following the installation notes mentioned above will void the warranty due to improper installation.
- NOTE: \* Lamp not included.



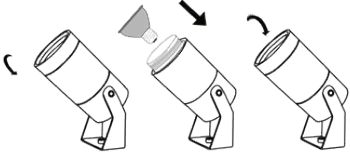
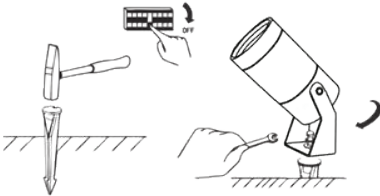
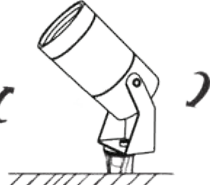

For installation and safety notes visit: [www.zolulighting.com](http://www.zolulighting.com)

## Spike Flood Fixture for GU10 Installation Instructions

### CAUTION:

Use a qualified electrician for installation of this lighting fixture.

Before installing the fixture disconnect power by shutting off the circuit breaker or by removing the fuse at the fuse box. All electrical connections must be in accordance with local and National Electrical Code.

GENERAL INSTALLATION	
1	 <p>Remove the bezel and glass. Install a LED GU10 lamp. Fix the glass and bezel and tighten them to the body</p>
2	 <p>Select a suitable area to install the spike, taking care to avoid cables or pipes. Secure the spike into the ground, and the body to the spike. The incoming cable to the luminaire is to be terminated in a suitable junction box enclosure maintained any required IP rating. See electrical connections below.</p>
3	 <p>Angle and Direct the luminaire to desired position.</p>
4	 <p>Restore power supply, switch on and test for satisfactory operation.</p>

### ELECTRIC CONNECTION:

Connect as follows

LIVE	(L)	BROWN OR RED
NEUTRAL	(N)	BLUE OR BLACK
EARTH	(G)	YELLOW&GREEN



### MAINTENANCE:

• This luminaire contains no serviceable parts. If you are in doubt, please contact your equipment supplier for further advice.

For installation and safety notes visit: [www.zolulighting.com](http://www.zolulighting.com)