



■ Features:

- Constant voltage output design
- Universal AC input rang 90-277VAC
- Protections: Short circuit/Over current/Over voltage/Over temperature
- Fanless design, Cooling by free air convection
- Class II Power unit, no FG
- P65/IP67 design for indoor or outdoor installations
- Listed in UL Sign Component Manual (SAM , Conforms to UL 879,UL8750)
- Suitable for LED related fixture or appliance (such as LED Decoration or Advertisement devices)
- Ultra-long life



INPUT SPECIFICATIONS

Parameter Name	Min.	Typ.	Max.	Unit
Input Voltage	100	230	277	Vac
Input Current	---	0.6	1.3	A
THD	5	10	18	%
Frequency Rang	47	50\60	63	Hz
Short Circuit Protection	Constant Current limiting, recovers automatically after fault condition is removed			
Inrush Current(Typ.)	Cold Start 70A(twidth=700us measured at 50% Ipeak) at 230VAC			
MAX. No. of PSUs on 16A Circuit Breaker	2 units (circuit breaker of type B)/3 units (circuit breaker of type C) at 230VAC			

OUTPUT SPECIFICATIONS

Parameter Name	Min.	Typ.	Max.	Unit	
100LV-12V (Constant Voltage)	Rated Output Voltage	-5%	12	+5%	Vdc
	Rated Output Current	0	8.5	8.5	Vdc
	Rated Output Power	---	102	102	Adc
	Efficiency	83	85	---	% (230VAC)
100LV-24V (Constant Voltage)	Rated Output Voltage	-5%	24	+5%	Vdc
	Rated Output Current	0	4.2	4.2	Vdc
	Rated Output Power	---	100.8	100.8	Adc
	Efficiency	86	88	---	% (230VAC)
No Load Power	---	---	0.5	1	
Ripple & Noise	---	---	0.5	1	
Overshoot	---	---	---	+5	
Line regulation	-1	-1		+1	
Load Regulation	-2	-2	---	+2	
Over Voltage Protection	---	---	---	110	
Short Circuit Protection	Constant Current limiting, recovers automatically after fault condition is removed				

WORKING ENVIRONMENT

Item	Min.	Typ.	Max.	Unit
Working Temp.	-25~+70°C (Please refer to "OUTPUT LOAD vs TEMPERATURE" section)			
IP Rating	IP65			
MAX. Working Humidity	20~95%RH non-condensing			
Cooling Method	Cooling by free air convection, External LED Driver can improve the lifespan.			
Storage Temp. , Humidity	-40~+80°C, 10~95%RH			
Working Atmosphere	70	---	106	Kpa

SAFETY

Item	Min.	Typ.	Max.	Unit
I/P-O/P	3750	---	---	V(AC)
I/P-FG	3750	---	---	V(AC)
O/P-FG	500	---	---	V(DC)
Surge: L-N	---	2000	---	V

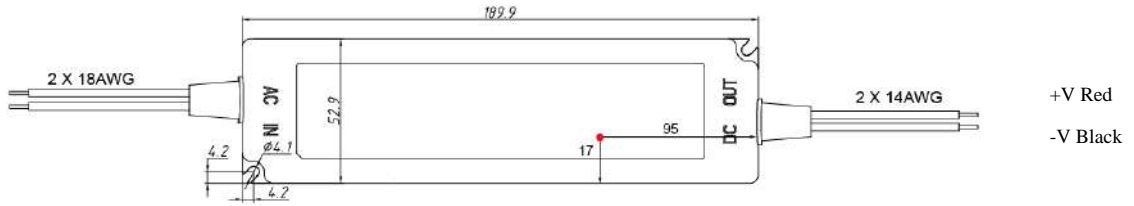
OTHER

MTBF	≥674.7Khrs	MIL-HDBK-217F (25°C)
Dimensions	189.9X52.9X37mm	

MECHANICAL SPECIFICATION

unit: mm

AC/L Black
Or Brown
AC/N White
Or Blue

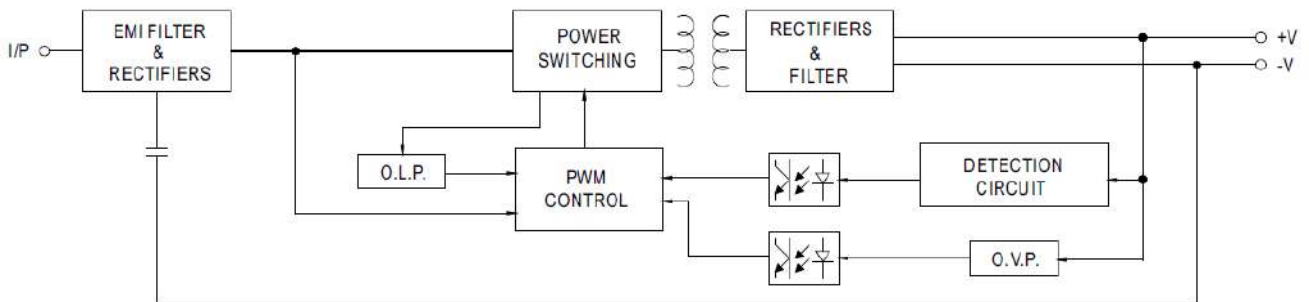


• tc: MAX. Case Temperature

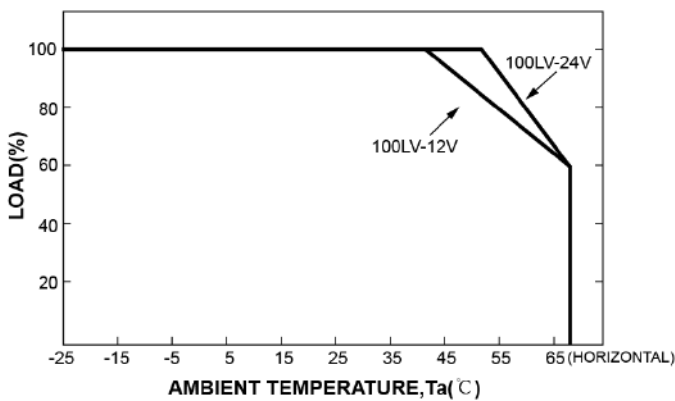


BLOCK DIAGRAM

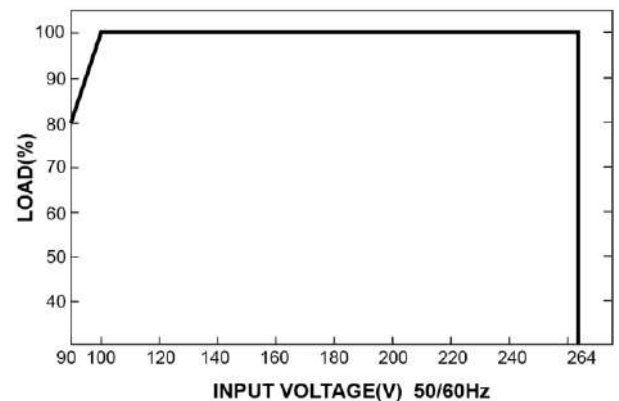
PWM fosc: 47KHz



OUTPUT LOAD vs TEMPERATURE



STATIC CHARACTERISTICS



※ De-rating is needed under low input voltage