



The perfect solution for outdoor landscape lighting. The spike end allows for easy placement into the ground, locking swivel knuckle assures positive lamp positioning. A compact design, fully adjustable in all directions, and due to its widespread, it is ideal for uplighting trees, statues and other garden features as well as color wall washing. Made from die-cast aluminum housing, accompanied with a clear tempered step glass, and the different lens degrees and color options makes it a versatile fixture build to last.

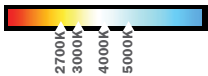
LED Accent Light 12V ETL

Features and benefits

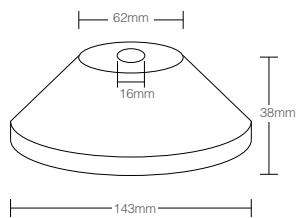
- ETL, Rohs, CE Certificate
- IP65 Waterproof rated
- Directly wire to 12V DC
- Powder coated black finish
- Integrated COB LED bulb
- Simple to install

Applications

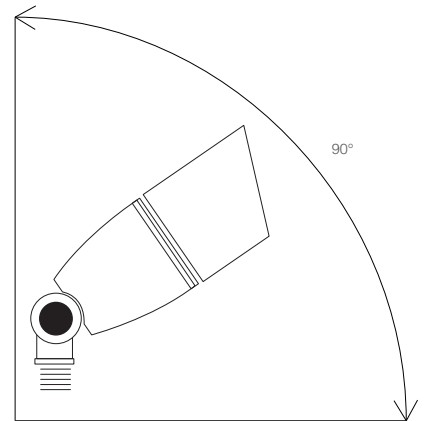
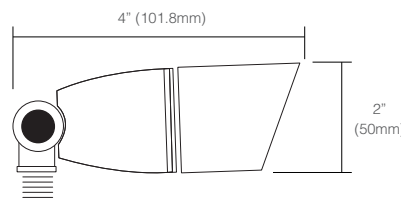
- Landscape lighting
- Tree uplighting
- Flagpoles
- Architectural wall washing



Accessories



ZLBASE-SFL-02



Technical specifications

Product code	Power	Light output	CCT	Dimensions
ZL6WALXXKETL	6W	490lm	2700K/3000K/4000K/5000K/RGB	101.8x50mm

Optional accessories

ZLBASE-SFL-02	Base for concrete installation or solid surfaces		143*38*62mm
---------------	--	--	-------------

Recommended drivers

*35LV-12V	35W	12V, Universal AC input rang 90-264VAC, IP65, 5 year warranty
**60LV-12V	60W	12V, Universal AC input rang 90-264VAC, IP65, 5 year warranty
***100LV-12V	100W	12V, Universal AC input rang 90-264VAC, IP65, 5 year warranty

- 24°, 40° or 60° lens degrees options can be included in package under special request
- Red, Green and Blue lens options can be included in package under special request

* 35W driver supports up to 28W connect to a single driver.
 ** 60W driver supports up to 48W connect to a single driver.
 *** 100W driver supports up to 75W connect to a single driver.

Main voltage	12V AC/DC
Power consumption	81 lm/W
IP rating	IP67
CRI	Ra ≥ 85
Lens angle	24° / 40° / 60°
Finish	Black
Certificates	ETL / RoHS / CE
Warranty	3 Year

