



Ideal to bring a uniform lighting experience to large spaces, the Zolu Lighting LED Flood Light UL is designed for industrial and commercial lighting harboring the newest LED lighting technology for a wide range of applications, availability beam angles. The fixture particularly fits most requirements embraced in parking lots, downtown areas, neighborhoods, walkways, building grounds and billboards.

## LED Flood Light UL

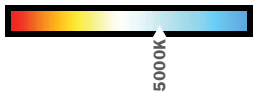
100W to 240W

### Features and benefits

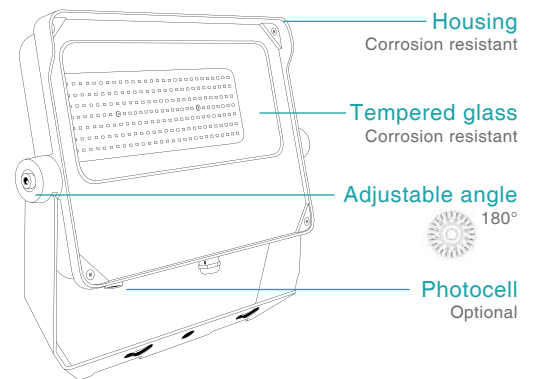
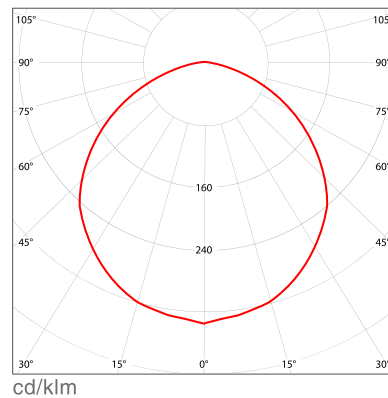
- Zolu Lighting quality and reliability
- IP66 for indoor and outdoor use
- Adjustable angle
- Highly energy efficient - up to 150lm/W
- Operating ambient temperature -30°~+45°C
- Tempered glass and corrosion resistant housing

### Applications

- Parking, parks, gymnasium
- Billboards, exhibition centre



### Photometric



### Technical specifications

Product code	Power	Light output	CCT	Dimensions
ZL100WYFL50K	100W	15000lm	5000K	300x355.4x70.9mm
ZL150WYFL50K	150W	22500lm	5000K	336x399.4x82mm
ZL200WYFL50K	200W	30000lm	5000K	400.8x479.1x99.8mm
ZL240WYFL50K	240W	36000lm	5000K	400.8x479.1x99.8mm

<b>Main voltage</b>	120-277V
<b>Efficiency</b>	150lm/W
<b>IP rating</b>	IP66
<b>Operating temperature</b>	-30°C~45°C
<b>CRI</b>	Ra>70
<b>Lens angle</b>	105°
<b>Adjustable angle</b>	180°
<b>Life span</b>	50,000 hrs
<b>Certificates</b>	UL / RoHS / DLC
<b>Warranty</b>	5 Year



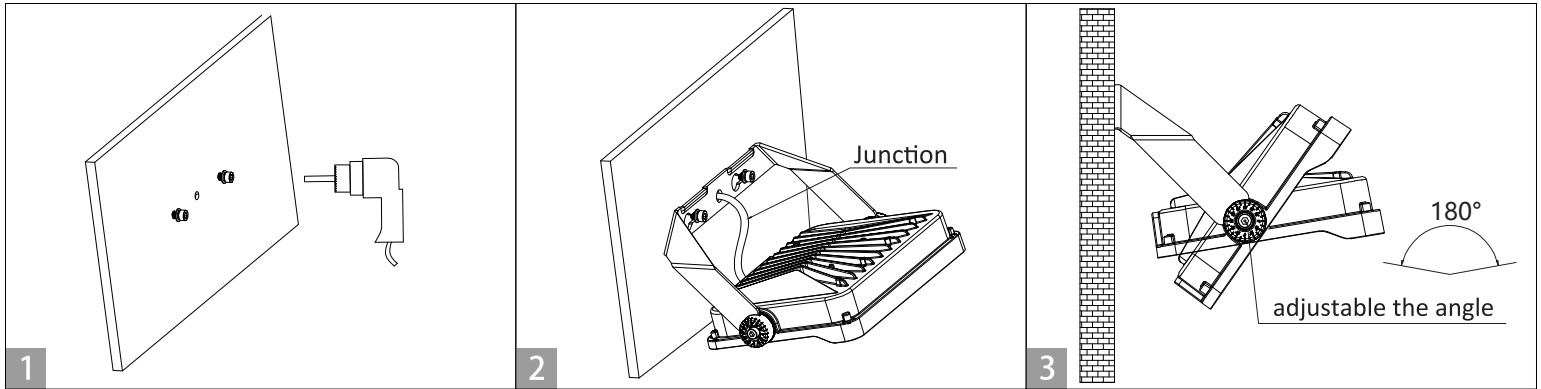
- Different watts (30W,50W,70W) and color temperature (3000K, 4000K) available upon special request.
- Photocell optional upon special request. Not available for 30W to 70W

## LED Flood Light UL 100W to 240W

### CAUTION

- This product must be installed in accordance with the applicable installation, code by a person familiar with the construction and operation of the product and the hazards involved.
- “caution - risk of shock” and “disconnect power before servicing” when photoelectric switch provided.
- Please check whether the voltage marked on the luminaire is consistent with the input voltage to be connected, so as not to damage the LED luminaire.
- To ensure the lifetime of the product, please do not use it in a place with strong acid mist.
- Make sure the installation position can withstand 10 times the weight of the luminaire before installation and install it at a flat place without vibration, no swing, no fire hazard.

### Turnnion mount installation



#### Step 1: Choose the best position to arrange the lamp

Drilling and install expansion screws until the middle side.

#### Step 2: Connect the electrical wiring

Tighten the nuts, then connect the electrical wiring according to the instruction below. CAUTION: turn off electricity.

#### Step 3: Adjust and locate

Use this screw to adjust the braket angle, rotate 180° degree. Turn on the electricity and test.

#### WIRING DIAGRAM:

