



## LED Wall Washer Seamless

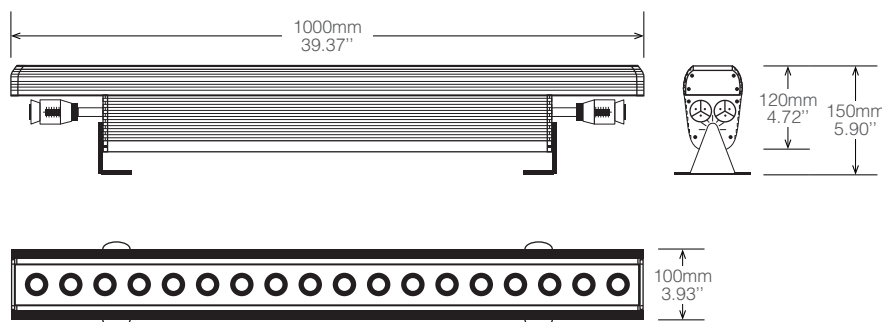
Powerful fixture that will brighten, enhance, and add visual interest providing uniform indirect lighting to a specific or large area. Commonly used in architectural settings, this fixture's sleek and sturdy aluminum housing is IP66 wet location rated, suitable both indoors and outdoors, to decorate spaces and to highlight buildings, restaurants, and even stage sets, by producing a bright and dynamic environment. The seamless design allows for invisibly interconnecting the linear LED fixtures into rows of any desired length without visual interruption.

### Features and benefits

- Zolu Lighting quality and reliability
- Seamless desing
- Surface mounted
- P66 protection for indoor and outdoor use
- Work with AC120-277V directly
- Operating ambient temperature -30°~+50°C
- Aluminum housing + PMMA lens
- Finish gray, black, white, and custom colors optional

### Applications

- Architecture lighting
- Building facade, tower, bridge, stage sets



### Technical specifications

Product code	Power	Light output	CCT	Dimensions
ZL72WSWWXXKETL	72W	6120lm	3000K/4000K/5000K	1000x100x150mm
* ZL72WSWWRGBETL	72W	2520lm	RGB	1000x100x150mm
ZL108WSWWXXKETL	108W	8640lm	3000K/4000K/5000K	1000x100x150mm
* ZL108WSWWRGBETL	108W	3780lm	RGB	1000x100x150mm

• XX: Denote the color temperature when is XX=30-40-50, stands for 3000K-4000K-5000K

<b>Main voltage</b>	AC120-277V
<b>Efficiency</b>	80lm/W (Single color) ; 35lm/W (RGB)
<b>Operating temperature</b>	-40°C ~ +50°C
<b>IP rating</b>	IP66
<b>Beam angle single CCT</b>	4°, 8°, 15°, 25°, 45°, 60°, 10X30°
<b>Beam angle RGB</b>	8°, 15°, 25°, 45°, 60°, 10X30°
<b>CCT</b>	3000K - 4000K - 5000K / RGB
<b>Certificates</b>	ETL
<b>Warranty</b>	5 Year

\* 3 Year warranty for RGB model

