

LED Wall Mount Cylinder ETL

LED Wall Mounted Cylinder Light is always popular and welcome to designers for its valued and widely application in architecture, corridor and pillar lighting. At night, you will know the mystery when it's operating, comfortable and warm. It's do a kind of common but applicable product. The optimization of lighting and artistic design, makes it stable and incomparable. Durable die casting aluminum housing, completed with quality LED, makes it environmental and reliable. Digital control system is compatible if you want to create different effects.

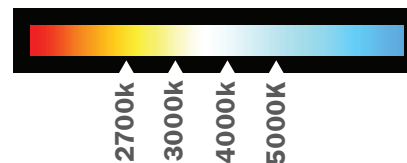
Features and Benefits

Housing	Extruded aluminum
Cover and Side Arm	Die-cast aluminum
Gasket	Silicone rubber
Cover Lens	Tempered Glass
LED Optic	PMMA Lens
Surface Finish	AkzoNobel powder coating
Driver Type	Constant current
Input Voltage	Universal 100~277V/AC
Ambient Temperature	-20°C~45°C
Ingress Protection	IP65

Applications

- Round wall mounted cylinder light, with both uplight and downlight, or either uplight or downlight, and multiple beam angle choices, to graze columns or to create light level contrast on wall facade. Asymmetric up/down beam angles create patterns of enhanced visual interest.

Color Temperature



Technical Parameters

Product Code	Watts	Lumens	Voltage	Dimmable	Diameter	Color Temperature	IP	Warranty	Certificates
ZLWC01-4WXXKETL	4W	250lm	100-277 V	No	Ø3.74"	2700-3000-4000-5000k	IP65	5 year	ETL
ZLWC02-8WXXKETL	4Wx2 - 8W	500lm	100-277 V	No	Ø3.74"	2700-3000-4000-5000k	IP65	5 year	ETL
ZLWC03-11WXXKETL	11W	850lm	100-277 V	0-10V Dim	Ø6.3"	2700-3000-4000-5000k	IP65	5 year	ETL
ZLWC04-22WXXKETL	11Wx2 - 22W	1700lm	100-277 V	0-10V Dim	Ø6.3"	2700-3000-4000-5000k	IP65	5 year	ETL
ZLWC05-21WXXKETL	21W	1600lm	100-277 V	0-10V Dim	Ø7.87"	2700-3000-4000-5000k	IP65	5 year	ETL
ZLWC06-42WXXKETL	21Wx2 - 42W	3100lm	100-277 V	0-10V Dim	Ø7.87"	2700-3000-4000-5000k	IP65	5 year	ETL

• NOTE: XX denote the color temperature when is XX=27-30-40-50, stands for 2700k-3000k-4000k-5000k

• NOTE: Marine and corrosion resistance painting available upon request.

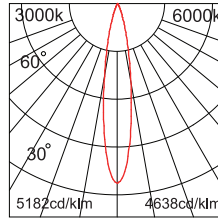
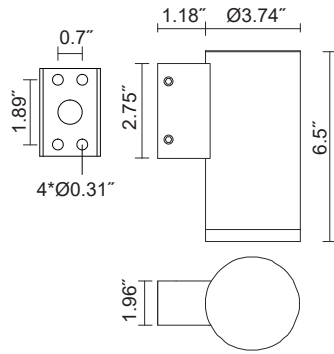
Warranty based on 12 hours daily use

For installation and safety notes visit: www.zolulighting.com

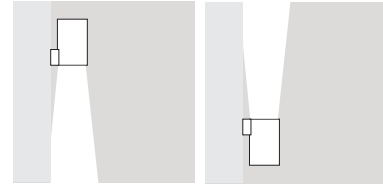




Product Code Dimensions Photometric Data

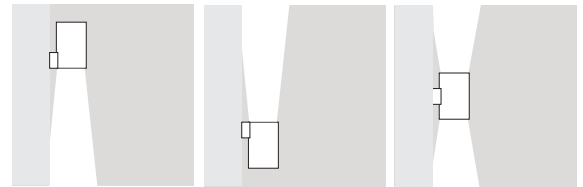
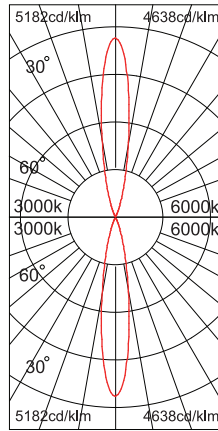
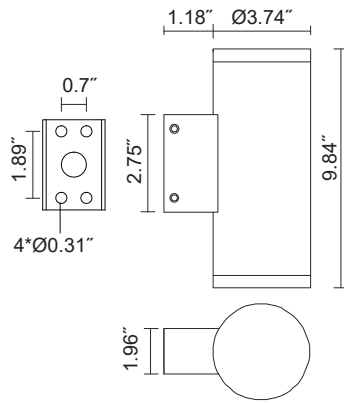


1w*3 LENS			
Ø(m)	h(m)	E(k) 6000k	E(k) 3000k
1.86	+6	22	17
1.24	+4	48	39
0.93	+3	86	69
0.62	+2	192	154
0.31	+1	769	600



Downlight Only Uplight Only

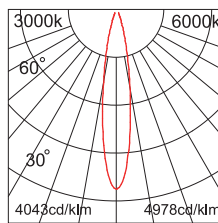
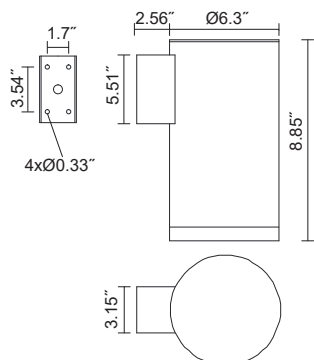
ZLWC01-4WXXKETL



Downlight Only Uplight Only Uplight & Downlight

1w*3			
Ø(m)	h(m)	E(k) 6000k	E(k) 3000k
1.86	+6	22	17
1.24	+4	48	39
0.93	+3	86	69
0.62	+2	192	154
0.31	+1	769	600

ZLWC02-8WXXKETL



Downlight Only Uplight Only

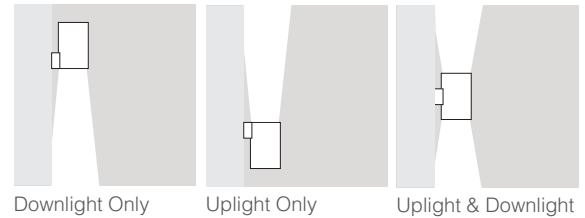
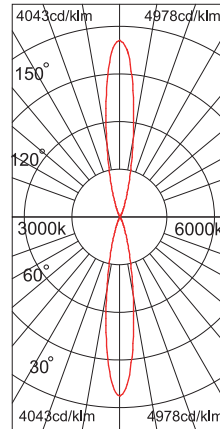
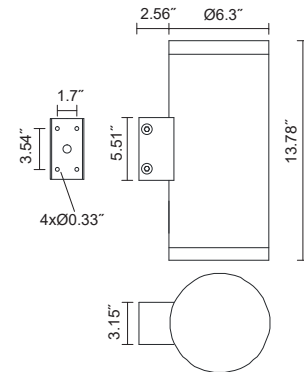
1w*9			
Ø(m)	h(m)	E(k) 6000k	E(k) 3000k
1.88	+6	69	48
1.25	+4	155	107
0.93	+3	276	190
0.62	+2	620	428
0.32	+1	2478	1709

ZLWC03-11WXXKETL





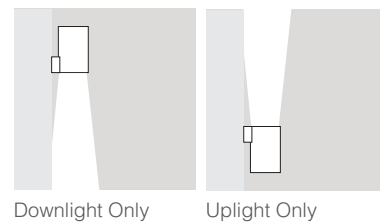
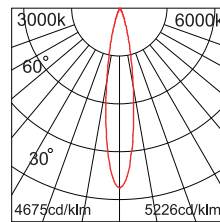
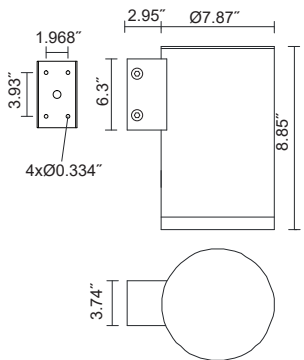
Product Code Dimensions Photometric Data



ZLWC04-22WXXKETL

1w*9

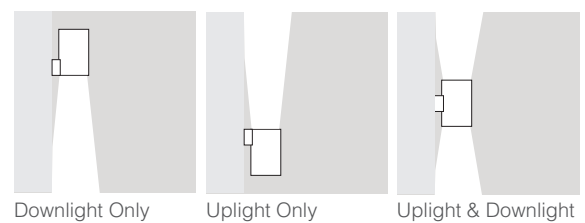
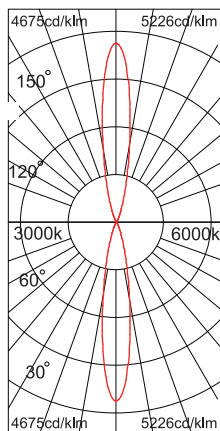
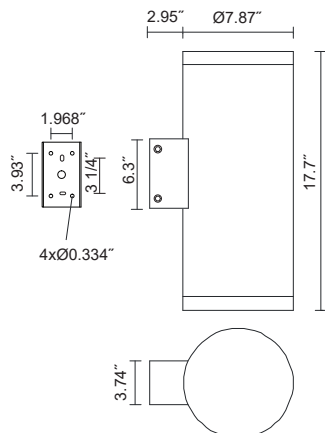
Ø(m)	h(m)	E(lx) 6000k	E(lx) 3000k
1.88	6	69	48
1.25	4	155	107
0.93	3	276	190
0.62	2	620	428
0.32	1	2478	1709



ZLWC05-21WXXKETL

1w*18 LENS 25°

Ø(m)	h(m)	E(lx) 6000k	E(lx) 3000k
1.87	6	126	111
1.25	4	284	250
0.93	3	505	443
0.62	2	1135	999
0.31	1	4536	3993



ZLWC06-42WXXKETL

1w*18 LENS 25°

Ø(m)	h(m)	E(lx) 6000k	E(lx) 3000k
1.87	6	126	111
1.25	4	284	250
0.93	3	505	443
0.62	2	1135	999
0.31	1	4536	3993

