



CE

The Zolu Lighting Downlight Fixture provides exceptional light output in a sophisticated, sleek design. Includes pressure presses that make it easy to install and works perfectly in wet/humid areas. The fixture can produce general lighting as well as accent lighting and can be use with lamp bases model GU10 and MR16, highlighting the desired versatility attribute.

Spot Downlight Fixture

For Damp Location

Features and benefits

- IP44 Suitable for damp location
- CE certificate
- 1 Year Warranty
- Easy maintenance
- Excellent heat dissipation
- Modern and durable design
- Easy to install

Applications

- Kitchens, bathrooms and laundry rooms
- Restaurants and cafes, galleries and museums

Technical specifications

Product code	Power consumption	Lamp base	Dimensions
ZLSP151-WH	50W max.	GU10 / GX5.3	ø85x45mm

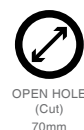
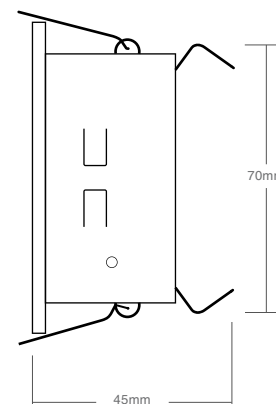
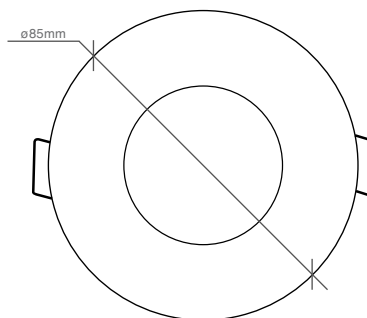
- Bulb NOT included.



FRONT VIEW



REAR VIEW



Nominal tension	12V / 100-240V
Nominal frequency	50/60 Hz
Current consumption	According to lamp
Suggested lamp	GU10 (120-240V) or MR16 (12V/120V)
Operation temperature	0°C - 40°C
IP rating	IP44 - Suitable for damp location
Cut out size	ø70mm
Material	Aluminum + glass
Finish	Matt white
Certificates	CE
Warranty	1 Year

CE