



**CE**

Designed to highlight details using an adjustable 30°-degree trim rotation feature, the Zolu Lighting Downlight Fixture can be used to produce general lighting as well as accent lighting. Also, the versatile compatibility to different lamp models allows the Downlight Fixture to work with GU10 and MR16 bases.

## Spot Downlight Fixture

### Features and benefits

- CE certificate
- 1 Year Warranty
- Easy maintenance
- Excellent heat dissipation
- Modern and durable design
- Easy to install

### Applications

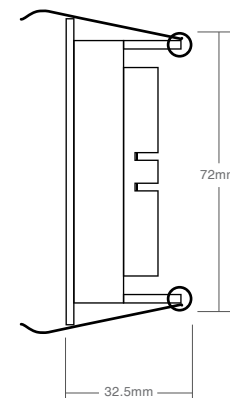
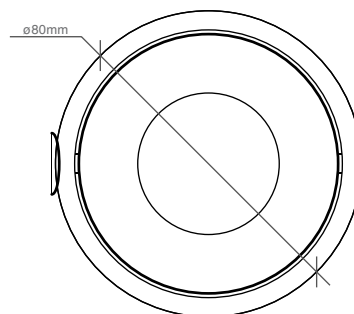
- Rooms and kitchens, lobby, bedrooms
- Restaurants and cafes, galleries and museums



ZLSP121R-WH



ZLSP121R-BK



**FIXTURE DIMENSION**  
Diameter 80mm  
Height 32.5mm



**OPEN HOLE (Cut)**  
72mm

### Technical specifications

Product code	Power consumption	Lamp base	Dimensions
ZLSP121R-WH	50W max.	GU10 / GX5.3	ø80x32.5mm
ZLSP121R-BK	50W max.	GU10 / GX5.3	ø80x32.5mm

• Bulb NOT included.

<b>Nominal tension</b>	12V / 100-240V
<b>Nominal frequency</b>	50/60 Hz
<b>Current consumption</b>	According to lamp
<b>Suggested lamp</b>	GU10 (120-240V) or MR16 (12V/120V)
<b>Operation temperature</b>	0°C - 40°C
<b>Cut out size</b>	ø72mm
<b>Material</b>	Aluminum
<b>Finish</b>	Matt white / Matt black
<b>Certificates</b>	CE
<b>Warranty</b>	1 Year

**CE**