



**CE**

The Fixture Surface Cylinder for GU10 from Zolu Lighting is a modern surface cylindrical-shaped body lamp with compact dimensions it is stylish and sophisticated and ideal for installation on ceilings where lights can not be recessed or simply to light spaces originally. Easy to install, it allows you to easily change the bulb and direct light in any direction. Made entirely in aluminium with the possibility to choose white or black finishes. Compatible with GU10 LED bulbs. 1xGU10 50w Max (bulb not included).

## Surface Cylinder FOR GU10

### Features and benefits

- Zolu Lighting quality and reliability
- IP20 protection
- 30° adjustable angle
- CE certificate
- Made in aluminium
- Available in white or black color finish

### Applications

- Lobby and offices
- Restaurants, cafes and hotels
- Galleries and museums
- Living rooms
- Stores

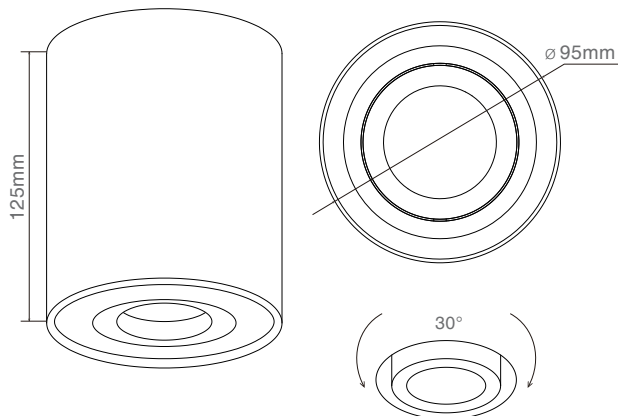


Fixture black/white

+



1xGU10 (Not included)



### Technical specifications

Product code	Lamp	Power	Voltage	Finish
ZLSF01-R-WH	GU10*	50W max.	100-240V	White
ZLSF01-R-BK	GU10*	50W max.	100-240V	Black

\* Lamp not included.

<b>Lamp holder</b>	GU10
<b>Color temperature</b>	According to bulb
<b>IP rating</b>	IP20
<b>Adjustable angle</b>	30°
<b>Dimensions</b>	ø95x125mm
<b>Materials</b>	Aluminium
<b>Certificates</b>	CE
<b>Warranty</b>	2 Year

**CE**